



You in Control

MR-810 SERIES

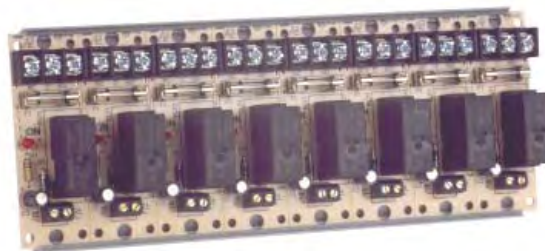
10A FUSED RELAYS

PRODUCT DESCRIPTION

The MR-810 Series Relays offer SPDT 10A resistive contacts which may be operated from either a 24VDC or a 24VAC control input. The input voltages are polarity sensitive and diode protected. The common output contact contains a 10A fuse which protects the contacts and load from over current.

Each relay position contains a red LED which indicates when the relay coil is energized. Relays may be “snapped apart” from a standard 8 module assembly and used independently. Relays are available with snap track and mounting hardware or swage type spacers. A single MR-811, MR-812, MR-814 or MR-818 is also available mounted in a sturdy NEMA I enclosure.

These devices are ideal for applications where protected control of up to 10A electrical loads are required. They are suitable for use with HVAC, Temperature Control, Fire Alarm, Security, Energy Management and Lighting Control Systems.

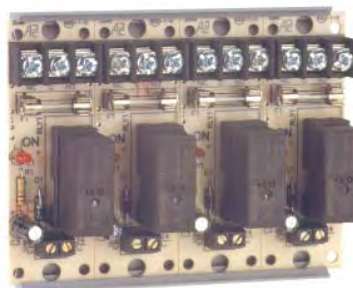


MR-818/T



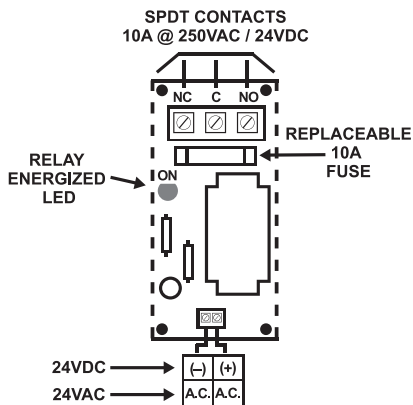
MR-811/T

 **RECOGNIZED COMPONENTS**



MR-814/T

WIRING (TYPICAL FOR ONE MODULE POSITION)



Air Products and Controls Inc.
1749 E. Highwood
Pontiac, MI 48340
(248) 332-3900 Phone
(888) 332-2241 Toll free
(248) 332-8807 Fax
www.ap-c.com

A
HALMA
GROUP
COMPANY

Distributed By:



PRODUCT SPECIFICATIONS

MODEL NUMBER	MODULE POSITIONS	CONTACT CONFIGURATION PER POSITION	SPACER MOUNTED H x W x D	TRACK MOUNTED H x W x D	ENCLOSURE MOUNTED H x W x D	COVER MATERIAL	
MR-811/S	1	SPDT	3.25" (83mm) 1.06" (27mm) 1.10" (28mm)				
MR-811/T				3.45" (88mm) 2.00" (51mm) 1.07" (27mm)			
MR-811/C						5.13" (130mm) 3.13" (79mm)	Grey ABS 94V-O Plastic
MR-811/C/R						2.50" (64mm)	Red ABS 94V-O Plastic
MR-812/S	2	SPDT	3.25" (83mm) 2.12" (54mm) 1.10" (28mm)				
MR-812/T				3.45" (88mm) 2.13" (54mm) 1.07" (27mm)			
MR-812/C						5.13" (130mm) 3.13" (79mm)	Grey ABS 94V-O Plastic
MR-812/C/R						2.50" (64mm)	Red ABS 94V-O Plastic
MR-814/S	4	SPDT	3.25" (83mm) 4.25" (108mm) 1.10" (28mm)				
MR-814/T				3.45" (88mm) 4.25" (108mm) 1.07" (27mm)			
MR-814/C						5.13" (130mm) 9.50" (241mm)	Plated 18ga CRS
MR-814/C/R						2.50" (64mm)	Red 18ga CRS
MR-818/S	8	SPDT	3.25" (83mm) 8.50" (215mm) 1.10" (28mm)				
MR-818/T				3.45" (88mm) 8.50" (215mm) 1.07" (27mm)			
MR-818/C						5.13" (130mm) 9.50" (241mm)	Plated 18ga CRS
MR-818/C/R						2.50" (64mm)	Red 18ga CRS

POWER REQUIREMENTS: 24VDC @ 20mA
(per position) 24VAC @ 63mA

COIL DATA: 24VDC/VAC nominal; Pick-up = 19.2VDC; Drop-out = 3.6VDC; Max. = 26.4VDC

COMPONENTS: Uses UL Recognized Components

POLARIZED: Yes

ENERGIZED LED INDICATOR: One per module position

CONTACT RATINGS: Resistive load: 10A @ 24VDC / 250VAC

ENVIRONMENTAL: 32°F to 120°F (0°C to 49°C) @ 85% RH, Non-condensing, Non-freezing

WIRING: Solid or stranded; #14 to #22 AWG terminals

FUSE: 10A field replaceable 0.25" Dia. X 0.75" L buss type

/S VERSIONS: Aluminum spacers provided with #8 X 7/8" screws

/T VERSIONS: 3.5" wide, low profile plastic snap track provided with mounting screws

/C VERSIONS: Backbox: 18ga CRS, plated with 1/2" conduit knockouts top and bottom

NOTICE: The information contained in this document is intended only as a summary and is subject to change without notice. The products described have specific instructional/installation documentation, which covers various technical, approval, code, limitation and liability information. Copies of this documentation along with any general product warning and limitation documents, which also contain important information, are provided with the product and are also available from Air Products and Controls Inc. The information contained in all of these documents should be considered before specifying or using the products. Any example applications shown are subject to the most current enforced local/national codes, standards, approvals, certifications, and/or the authority having jurisdiction. All of these resources, as well as the specific manufacturer of any shown or mentioned related equipment, should be consulted prior to any implementation. For further information or assistance concerning the products, contact Air Products and Controls Inc. Air Products and Controls Inc. reserves the right to change any and all documentation without notice.