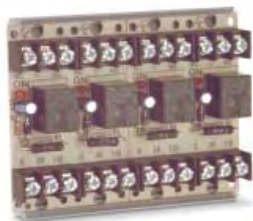




You in Control

MR-800 SERIES MULTI-VOLTAGE CONTROL RELAYS

PRODUCT DESCRIPTION



The MR-800 Series Relays offer SPDT 10 Amp (.25 to .33 hp) contacts which may be operated by one of three input control voltages; 24VDC, 24VAC, or 120VAC.

Each relay position contains a red LED which indicates the relay coil is energized. Relays may be “snapped apart” from standard 2, 4 or 8 position modules, and are also available in the single position configuration. Relays are supplied with either mounting spacers, track mounting hardware or are mounted in enclosures.



These devices are ideal for applications where local contacts are required for control of electrical loads or general purpose switching. They are suitable for use with HVAC, Temperature Control, Fire Alarm, Security, Energy Management and Lighting Control Systems.

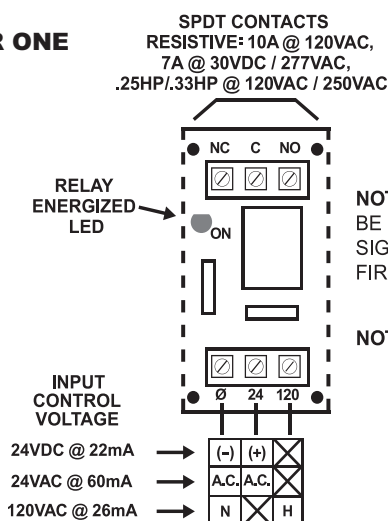


FEATURES

- ❖ Relays may be energized from a voltage source of 24VDC, 24VAC or 115VAC
- ❖ Each relay position contains a red LED which illuminates when the coil is energized. This provides a time saving device when checking an installed system – no metering is required
- ❖ Single, dual or triple relay modules may be “snapped apart” from standard 2, 4 and 8 position masters
- ❖ DC input is polarized
- ❖ “/S” and “/T” versions UL Recognized Component, “/C” and “/C/R” versions UL listed
- ❖ Available in dust resistant enclosures with LED viewing port(s)
- ❖ “/C” and “/C/R” versions mounted in enclosures
- ❖ “/C/R” versions with red covers for NYC and other uses
- ❖ “/T” versions come complete with track mounting hardware which facilitates installation in standard cabinets
- ❖ “/S” versions supplied with spacers for installation on standard back panels
- ❖ “/T” versions are configured for an available optional DIN/“A” series rail mounting clip (TK-CL)

WIRING

(TYPICAL FOR ONE)



NOTE: INPUT POWER SUPPLY SHOULD BE UL LISTED FOR FIRE PROTECTION SIGNALING SYSTEMS WHEN USED IN FIRE ALARM APPLICATIONS

NOTE: DC COIL INPUT IS POLARIZED



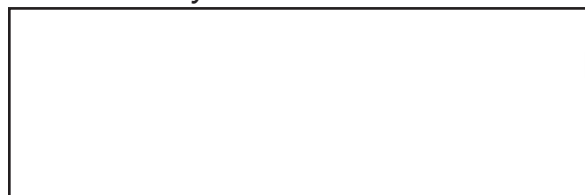
CSFM LISTED

MEA ACCEPTED

Air Products and Controls Inc.
1749 E. Highwood
Pontiac, MI 48340
(248) 332-3900 Phone
(888) 332-2241 Toll free
(248) 332-8807 Fax
www.ap-c.com

A
HALMA
GROUP
COMPANY

Distributed By:



PRODUCT SPECIFICATIONS

MODEL NUMBERS:	MODULE POSITIONS	CONTACT CONFIGURATION PER POSITION	SPACER MOUNTED H x W x D	TRACK MOUNTED H x W x D	ENCLOSURE MOUNTED H x W x D	COVER MATERIAL	UL* FILE S3403	MEA FILE 73-92-E	CSFM FILE 7300-1004
MR-801/S	1	SPDT	3.25" (83mm) 1.06" (27mm) 1.25" (32mm)				UOXX2		
MR-801/T	1	SPDT		3.50" (89mm) 2.00" (51mm) 1.375" (35mm)					
MR-801/C	1	SPDT			5.125" (131mm) 3.125" (80mm) 2.50" (64mm)	Grey ABS 94V-O Plastic	UOXX		:110
MR-801/C/R	1	SPDT				Red ABS 94V-O Plastic	UOXX2	Vol. 29	
MR-802/S	2	SPDT	3.25" (83mm) 2.125" (54mm) 1.25" (32mm)				UOXX2		
MR-802/T	2	SPDT		3.50" (89mm) 2.125" (54mm) 1.375" (35mm)					
MR-802/C	2	SPDT			5.125" (131mm) 3.125" (80mm) 2.50" (64mm)	Grey ABS 94V-O Plastic	UOXX		:110
MR-802/C/R	2	SPDT				Red ABS 94V-O Plastic	UOXX2	Vol. 29	
MR-804/S	4	SPDT	3.25" (83mm) 4.25" (108mm) 1.25" (32mm)				UOXX2		
MR-804/T	4	SPDT		3.50" (89mm) 4.25" (108mm) 1.375" (35mm)					
MR-804/C	4	SPDT			5.125" (131mm) 9.50" (242mm) 2.50" (64mm)	Plated 18ga CRS	UOXX		:110
MR-804/C/R	4	SPDT				Red 18ga CRS	UOXX2	Vol. 29	
MR-808/S	8	SPDT	3.25" (83mm) 8.50" (215mm) 1.25" (32mm)				UOXX2		
MR-808/T	8	SPDT		3.50" (89mm) 8.50" (215mm) 1.375" (35mm)					
MR-808/C	8	SPDT			5.125" (131mm) 9.50" (242mm) 2.50" (64mm)	Plated 18ga CRS	UOXX		:110
MR-808/C/R	8	SPDT				Red 18ga CRS	UOXX2	Vol. 29	

POWER REQUIREMENTS: Per Position: 24VDC @ 22mA, 24VAC @ 60mA, or 120VAC @ 26mA

POLARIZED COIL INPUT(S): DC inputs only

ENERGIZED LED INDICATOR: One red LED per module position

CONTACT RATINGS: **Resistive load:** 10A @ 120VAC; 7A @ 30VDC / 277VAC **Inductive Load:** .25HP / .33HP @ 120VAC / 250VAC

CONTACT CONSTRUCTION: One dry form "C" SPDT per module position

AMBIENT TEMPERATURE: 32°F to 120°F (0°C to 49°C) @ 85% RH (@ 32°F), Non-Condensing, Non-Freezing

WIRING: Solid or stranded; #12 to #22 AWG terminals

/T VERSIONS: 3.5" wide, low profile plastic snap track provided with mounting screws

/S VERSIONS: Aluminum Spacers provided with #8 X 7/8" self tapping sheet metal screws

/C VERSIONS: Back Box: 18ga CRS, plated with 1/2" conduit knockouts top and bottom

UOXX (UL864)=Control Unit Accessories, System; 2=Component

NOTICE: The information contained in this document is intended only as a summary and is subject to change without notice. The products described have specific instructional/installation documentation, which covers various technical, approval, code, limitation and liability information. Copies of this documentation along with any general product warning and limitation documents, which also contain important information, are provided with the product and are also available from Air Products and Controls Inc. The information contained in all of these documents should be considered before specifying or using the products. Any example applications shown are subject to the most current enforced local/national codes, standards, approvals, certifications, and/or the authority having jurisdiction. All of these resources, as well as the specific manufacturer of any shown or mentioned related equipment, should be consulted prior to any implementation. For further information or assistance concerning the products, contact Air Products and Controls Inc. Air Products and Controls Inc. reserves the right to change any and all documentation without notice.