



*You in Control*

# MR-400 SERIES MULTI-VOLTAGE RELAY MODULES

## PRODUCT DESCRIPTION

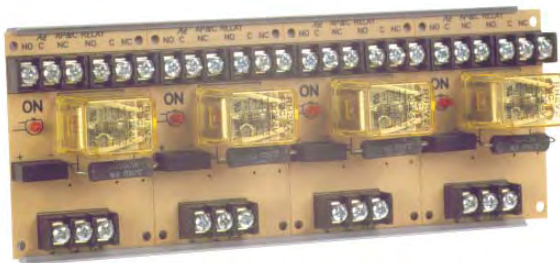
The MR-400 Series Relays provide DPDT 10A resistive contacts which are operated by one of three input control voltages: 24VDC, 24VAC or 115VAC. Each relay is equipped with a "test button" which enables the contacts to be transferred manually without a change in the control voltage state.

Each relay position contains a red LED which indicates when the relay coil is energized. Relays may be "snapped apart" from a standard 4 module assembly and used independently. Relays are available with snap track and mounting hardware. A single MR-401 or MR-404 is also available mounted in a sturdy NEMA 1 enclosure.

These devices are ideal for applications where remote relays are required for control or system feedback. They are suitable for use with HVAC, Temperature Control, Fire Alarm, Security, Energy Management and Lighting Control Systems.



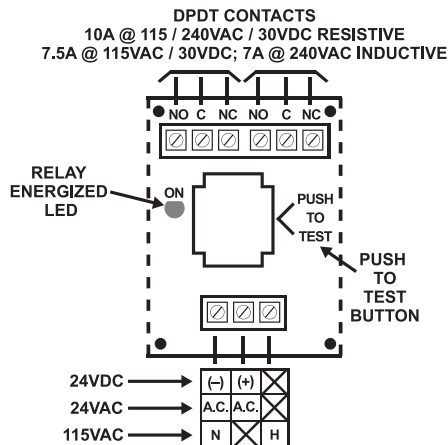
MR-401/T



MR-404/T

**RC** RECOGNIZED COMPONENTS

## WIRING (TYPICAL FOR ONE MODULE POSITION)



*Air Products and Controls Inc.*  
1749 E. Highwood  
Pontiac, MI 48340  
(248) 332-3900 Phone  
(888) 332-2241 Toll free  
(248) 332-8807 Fax  
[www.ap-c.com](http://www.ap-c.com)

**A  
HALMA  
GROUP  
COMPANY**

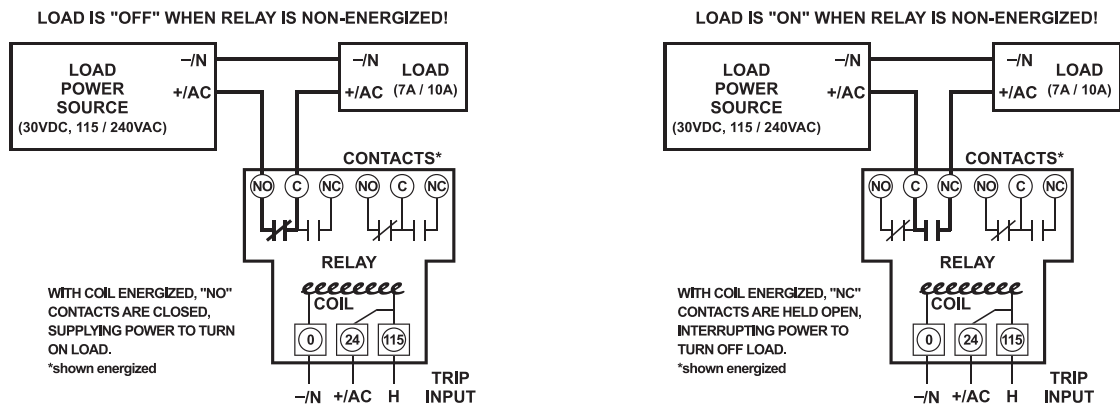
*Distributed By:*



## PRODUCT SPECIFICATIONS

MODEL NUMBER	MODULE POSITIONS	CONTACT CONFIGURATION PER POSITION	TRACK MOUNTED H x W x D	ENCLOSURE MOUNTED H x W x D	COVER MATERIAL
MR-401/T			3.40" (87mm) 2.13" (54mm) 1.94" (49mm)		
MR-401/C	1	DPDT		5.13" (130mm) 3.13" (79mm) 2.50" (64mm)	Grey ABS 94V-O Plastic
MR-401/C/R					Red ABS 94V-O Plastic
MR-404/T			3.40" (87mm) 8.50" (215mm) 1.94" (49mm)		
MR-404/C	4	DPDT		5.13" (130mm) 9.50" (241mm) 2.50" (64mm)	Plated 18ga CRS
MR-404/C/R					Red 18ga CRS
POWER REQUIREMENTS: (per position)		24VDC @ 31mA 24VAC @ 28mA 115VDC @ 34mA			
COIL DATA:		24VDC/VAC, 115VAC Pull in voltage = 80% of rated voltage Drop-out voltage (AC) = 30% of rated voltage Drop-out voltage (DC) = 10% of rated voltage Max. voltage = 110% of rated voltage			
COMPONENTS:		Uses UL Recognized Components			
POLARIZED:		No			
ENERGIZED LED INDICATOR:		One per module position			
CONTACT RATINGS:		Resistive load: 10A @ 115VAC / 240VAC / 30VDC Inductive load: 7.5A @ 115VAC / 30VDC; 7A @ 240VAC			
ENVIRONMENTAL:		32°F to 120°F (0°C to 49°C) @ 85% RH, Non-condensing, Non-freezing			
WIRING:		Solid or stranded; #12 to #22 AWG terminals			
MANUAL TEST BUTTON:		One per module position			
/T VERSIONS:		3.5" wide, low profile plastic snap track provided with mounting screws			
/C VERSIONS:		Backbox: 18ga CRS, plated with 1/2" conduit knockouts top and bottom			

## APPLICATION EXAMPLES



**NOTICE:** The information contained in this document is intended only as a summary and is subject to change without notice. The products described have specific instructional/installation documentation, which covers various technical, approval, code, limitation and liability information. Copies of this documentation along with any general product warning and limitation documents, which also contain important information, are provided with the product and are also available from Air Products and Controls Inc. The information contained in all of these documents should be considered before specifying or using the products. Any example applications shown are subject to the most current enforced local/national codes, standards, approvals, certifications, and/or the authority having jurisdiction. All of these resources, as well as the specific manufacturer of any shown or mentioned related equipment, should be consulted prior to any implementation. For further information or assistance concerning the products, contact Air Products and Controls Inc. Air Products and Controls Inc. reserves the right to change any and all documentation without notice.