



You in Control

MR-199 SERIES

HEAVY DUTY POWER RELAYS

PRODUCT DESCRIPTION

The MR-199 Series Heavy Duty Power Relays are designed for control applications where 30A DPDT contacts are required. Two models are available: the **MR-199X-13**, a 24VDC coil, and the **MR-199X-14**, a 120VAC coil. Both models may be ordered in a rugged steel enclosure.



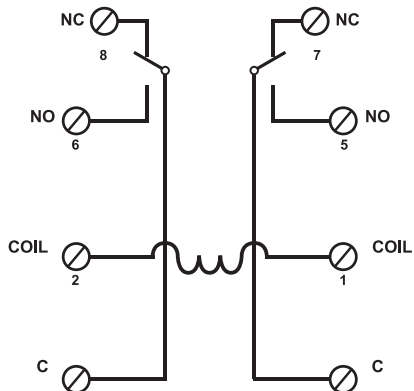
MR-199X-13 or
MR-199X-14



MR-199X-13/C (-14)
(or MR-199X-13/C/R (-14) with red enclosure)

WIRING

MR-199 Series



CSFM LISTED

MEA APPROVED

Air Products and Controls Inc.
1749 E. Highwood
Pontiac, MI 48340
(248) 332-3900 Phone
(888) 332-2241 Toll free
(248) 332-8807 Fax
www.ap-c.com

A
HALMA
GROUP
COMPANY

Distributed By:

PRODUCT SPECIFICATIONS

| MODEL NUMBER | INPUT VOLTAGE | MODULE POSITIONS | CONTACT CONFIGURATION PER POSITION | RELAY ONLY H X W X D | ENCLOSURE MOUNTED H X W X D | COVER MATERIAL | UL* FILE S3403 |
|---------------------|---------------|------------------|------------------------------------|--|---|---------------------|--------------------------------|
| MR-199X-13 | 24VDC | 1 | DPDT | 3.33" (84mm) 2.50" (63mm) 2.18" (55mm) | | | UOXX2 |
| MR-199X-14 | 120VAC | | | | | | |
| MR-199X-13/C | 24VDC | 1 | DPDT | | 5.35" (136mm) 3.41" (86mm) 3.04" (77mm) | Grey 18ga CRS | UOXX UOXX2 UUKL UUKL2 |
| MR-199X-14/C | 120VAC | | | | | | |
| MR-199X-13/C | 24VDC | 1 | DPDT | | 5.35" (136mm) 3.41" (86mm) 3.04" (77mm) | Red 18ga CRS | UOXX UOXX2 UUKL UUKL2 |
| MR-199X-14/C | 120VAC | | | | | | |

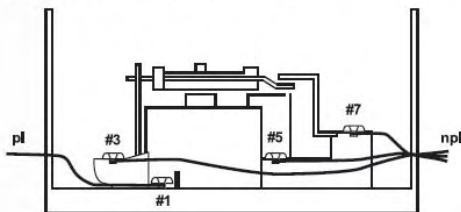
| | | | |
|-----------------------|---------|---|---|
| POWER REQUIREMENTS: | | MR-199X-13 | 24VDC @ 85mA, Minimum pull-in voltage: 75% of nominal voltage @ 25°C |
| | | MR-199X-14 | 120VAC @ 85mA, Minimum pull-in voltage: 85% of nominal voltage @ 25°C |
| COIL DATA: | Nominal | DC coils (-13) | 2.0 Watts @ 25°C |
| | | AC coils (-14) | 9.8VA @ 25°C |
| | Max | DC coils (-13) | 8.0 Watts @ 25°C |
| COMPONENTS: | | UL Recognized as component; UL Listed when installed in enclosure (/C versions) | |
| POLARIZED: | | No | |
| CONTACT RATINGS: | | 30A @ 240VAC; 20A @ 277VAC; 2HP @ 240VAC / 1.5HP @ 120VAC | |
| CONTACT CONSTRUCTION: | | Dry form "C" DPDT | |
| ENVIRONMENTAL: | | 32°F to 120°F (0°C to 49°C) @ 85% RH (@ 32°F), Non-condensing, Non-freezing | |
| WIRING: | | #6 to #14 AWG terminals | |
| /C VERSIONS: | | Backbox: 18ga CRS, plated with 1/2" conduit knockouts top and bottom | |

*UOXX = Control Unit Accessories, System; 2 = Component
 UUKL = Smoke Control System Equipment
 UUKL2 = Control System Equipment, Smoke

POWER LIMITED WIRING

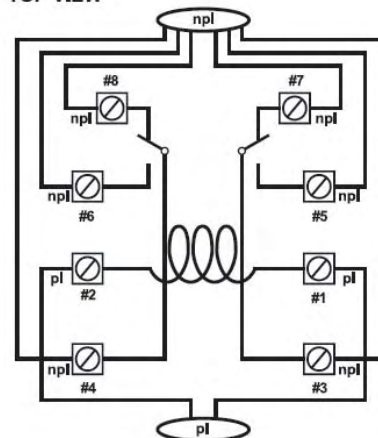
MR-199X-13
MR-199X-13/C
MR-199X-13/C/R
 COIL POWER: 24VDC

SIDE VIEW - OTHER SIDE IDENTICAL



*pl - POWER LIMITED
 *npl - NON-POWER LIMITED

TOP VIEW



CAUTION: MINIMUM 1/4" SEGREGATION BETWEEN POWER LIMITED AND NON-POWER LIMITED WIRING
CAUTION: DE-ENERGIZE POWER BEFORE SERVICE
CAUTION: NON-ENCLOSED VERSIONS MUST BE MOUNTED IN THE APPLICATION ENCLOSURE

NOTICE: The information contained in this document is intended only as a summary and is subject to change without notice. The products described have specific instructional/installation documentation, which covers various technical, approval, code, limitation and liability information. Copies of this documentation along with any general product warning and limitation documents, which also contain important information, are provided with the product and are also available from Air Products and Controls Inc. The information contained in all of these documents should be considered before specifying or using the products. Any example applications shown are subject to the most current enforced local/national codes, standards, approvals, certifications, and/or the authority having jurisdiction. All of these resources, as well as the specific manufacturer of any shown or mentioned related equipment, should be consulted prior to any implementation. For further information or assistance concerning the products, contact Air Products and Controls Inc. Air Products and Controls Inc. reserves the right to change any and all documentation without notice.