

MR-100 SERIES MR-200 SERIES

MULTI-VOLTAGE RELAY INSTALLATION GUIDE

PRODUCT SPECIFICATIONS

POWER REQUIREMENTS:	MR-100 Series: 24VDC @ 15mA / 24VAC @ 48mA, 120VAC @ 21mA / 230VAC @ 19mA per module position MR-200 Series: 24VDC @ 28mA / 24VAC @ 69mA, 120VAC @ 45mA / 230VAC @ 36mA per module position
POLARIZED COIL INPUT(S):	DC control inputs only
ENERGIZED INDICATOR:	One red LED per module position
CONTACT RATINGS:	Resistive load: 7A @ 30VDC, 10A @ 125VAC, 7A @ 250VAC Inductive load: .25 HP 125/250VAC (N.C.), .33HP 125/250VAC (N.O.)
CONTACT CONSTRUCTION:	MR-100 Series: Dry form "C" SPDT per module position MR-200 Series: Dry form "C" DPDT per module position
AMBIENT TEMPERATURE:	32°F to 120°F (0°C to 49°C) @ 93% RH (@32°C) Non-Condensing / Non-Freezing
WIRING:	Solid or stranded: #14 to #22 AWG terminals
"T" VERSIONS:	3.5" wide, low profile snap track provided with mounting screws Backbox: 18ga CRS, plated with 1/2" conduit knockouts top and bottom
"C" VERSIONS:	Cover Material: MR-101, MR-201: plastic ABS 94V-0 ("C" Grey, "/C/R" Red) MR-104, MR-204: CRS 18ga ("C" Grey, "/C/R" Red)
APPROVALS:	"T" versions: UL Recognized Component (UL864, UOXX2) File #S3403, CSFM File #7300-1004:106 "C" versions: UL Listed (UL864, UOXX), CUL Listed (UL864, UOXX7) File #S3403, CSFM File #7300-1004:101, MEA File #73-92-E Vol.14 (MR-101, MR-104), Vol. 16 (MR-201, MR-204) "C/R" versions: UL Listed (UL864, UOXX), CUL Listed (UL864, UOXX7) File #S3403, CSFM File #7300-1004:101, MEA File #73-92-E Vol. 22

CAUTION: DE-ENERGIZE ALL POWER BEFORE INSTALLATION OR SERVICE

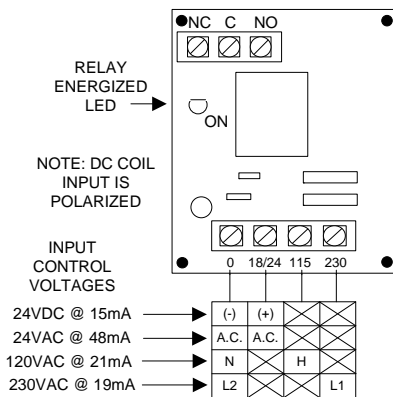
NOTE: INPUT POWER SUPPLY SHOULD BE UL LISTED FOR FIRE PROTECTIVE SIGNALING SYSTEMS WHEN USED IN FIRE ALARM APPLICATIONS

WIRING

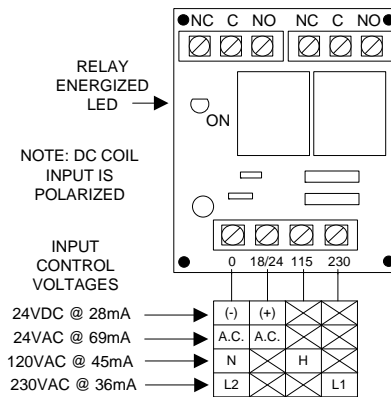
(TYPICAL FOR ONE
MODULE POSITION)

RELAY OUTPUTS UL LISTED FOR
"COMMON" USE

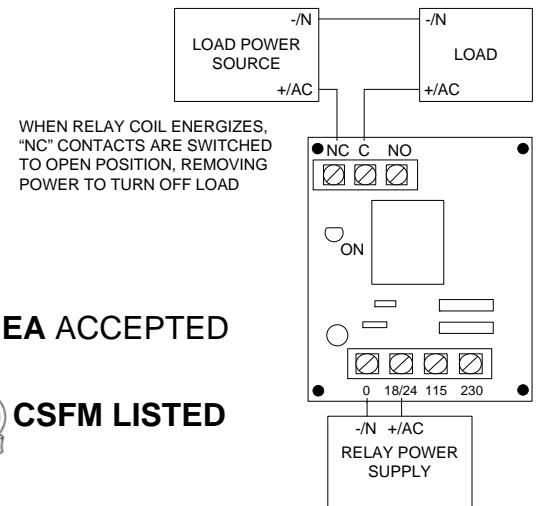
MR-101
SPDT CONTACT
RESISTIVE: 7A @ 30VDC,
10A @ 125VAC, 7A @ 250VAC
INDUCTIVE: .25HP 125/250VAC (N.C.),
.33 HP 125/250VAC (N.O.)



MR-201
DPDT CONTACTS
RESISTIVE: 7A @ 30VDC,
10A @ 125VAC, 7A @ 250VAC
INDUCTIVE: .25HP 125/250VAC (N.C.),
.33 HP 125/250VAC (N.O.)



APPLICATION EXAMPLE



NOTE: THE INPUT CURRENT SHALL NOT EXCEED THE MARKED RATING OF THE PRODUCT



RECOGNIZED COMPONENT

FOR ADDITIONAL APPLICATION INFORMATION AND/OR ASSISTANCE,
PLEASE CONTACT OUR TECHNICAL SUPPORT HOTLINE. (888) 332-2241