



T-PB SERIES

24VAC POWER SUPPLIES CLASS 1

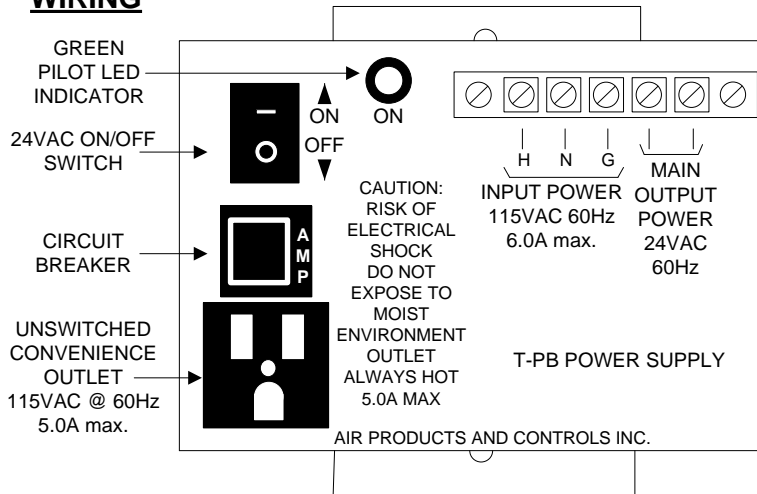
PRODUCT SPECIFICATIONS

INPUT POWER:	115VAC @ 60Hz	
INPUT CURRENT:	1.0A max for 24VAC main output power only 6.0A max total with 5.0A convenience outlet in full use	
MODEL NUMBERS:	T-PB 202-1, T-PB 202-0	T-PB 303-1, T-PB 303-0
OUTPUT POWER:	24VAC @ 4.0A	24VAC @ 3.0A
OUTPUT CAPACITY:	96VA	72VA
SUPPLY CLASS:	Class 1	Class 1
CONVENIENCE OUTLET:	Front accessible 115VAC @ 60Hz, 5.0A max.	
OUTPUT PROTECTION:	Front accessible 3.0A or 4.0A @ 32V manual reset circuit breaker	
OUTPUT CONTROL:	Front accessible DPDT ON/OFF rocker switch	
POWER "ON" INDICATOR:	Front visible green LED	
ENVIRONMENTAL:	-13°F to 140°F (-25°C to 60°C) @ 85% RH, Non-Condensing	
WIRING:	Solid or stranded: #12 to #22 AWG terminals	
METAL WORK:	16ga CRS (1.5mm) with beige painted finish and black silk-screened markings	
APPROVALS:	T-PB 202-0, T-PB 303-0 UL Recognized Component (UL1012, QQFU2) File # E160579 T-PB 202-1, T-PB 303-1 UL Listed (UL1012, QQFU) File # E160579	

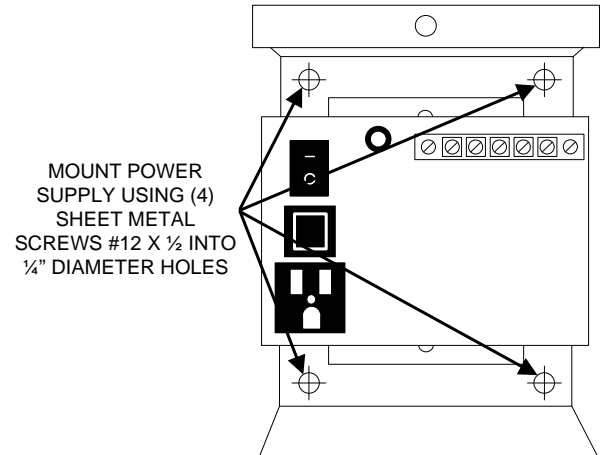
WIRING AND APPLICATION DIAGRAMS

CAUTION: DE-ENERGIZE ALL POWER BEFORE INSTALLATION OR SERVICE

WIRING



MOUNTING



FOR ADDITIONAL APPLICATION INFORMATION AND/OR ASSISTANCE, PLEASE CONTACT OUR TECHNICAL SUPPORT HOTLINE. (888) 332-2241