

MR-110 SERIES

20A FUSED RELAY INSTALLATION GUIDE

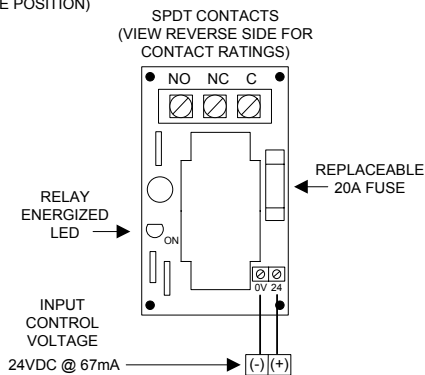
PRODUCT SPECIFICATIONS

POWER REQUIREMENTS:	24VDC @ 67mA per module position
POLARIZED COIL INPUT(S):	Yes
ENERGIZED INDICATOR:	One red LED per module position
CONTACT RATINGS:	Resistive load: 20A @ 125/250VAC, 15A @ 24VDC, 0.8A @ 125VDC Inductive load: 0.75PF, 15A @ 125, 10A @ 250VAC Motor load: 0.75HP @ 125VAC, 2HP @ 250VAC Lamp load: 0.5KW @ 125VAC
CONTACT CONSTRUCTION:	Dry form "C" SPDT per module position
AMBIENT TEMPERATURE:	32°F to 120°F (0°C to 49°C) @ 85% RH (@ 32°C) Non-Condensing / Non-Freezing
WIRING:	Solid or stranded: #14 to #22 AWG terminals
FUSE:	20A field replaceable 0.25" (Dia.) X 1.25" (L) buss type
"/T" VERSIONS:	3.5" wide, low profile snap track provided with mounting screws
"/C" VERSIONS:	Backbox: 18ga CRS, plated with 1/2" conduit knockouts top and bottom Cover Material: MR-111: CRS 18ga ("/C" Grey, "/C/R" Red)
COMPONENTS:	Utilizes UL Recognized Components

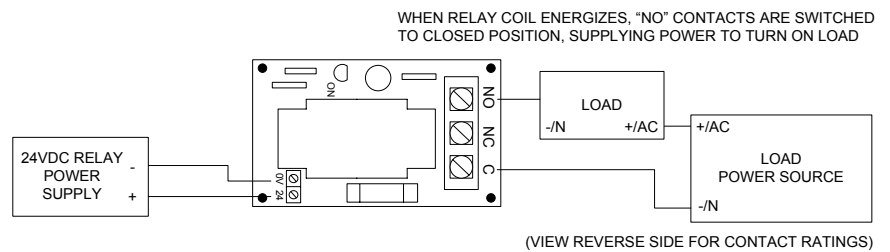
CAUTION: DE-ENERGIZE ALL POWER BEFORE INSTALLATION OR SERVICE

WIRING

(TYPICAL FOR ONE
MODULE POSITION)



APPLICATION EXAMPLE



FOR ADDITIONAL APPLICATION INFORMATION AND/OR ASSISTANCE,
PLEASE CONTACT OUR TECHNICAL SUPPORT HOTLINE: (888) 332-2241

UTILIZES UL RECOGNIZED COMPONENTS