

# MR-820 SERIES

## DUAL RELAY INSTALLATION GUIDE

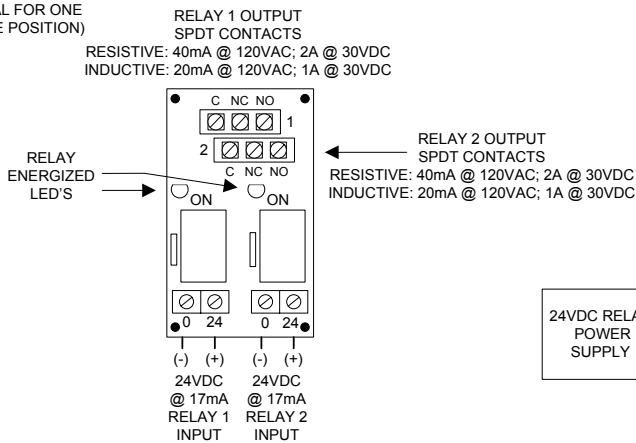
### PRODUCT SPECIFICATIONS

POWER REQUIREMENTS:	24VDC @ 17mA per module position
POLARIZED COIL INPUT(S):	Yes
ENERGIZED INDICATOR:	One red LED per module position
CONTACT RATINGS:	Resistive load: 40mA @ 120 VAC / 2A @ 30VDC Inductive load: 20mA @ 120VAC / 1A @ 30VDC
CONTACT CONSTRUCTION:	Dual Dry form "C" SPDT per module position
AMBIENT TEMPERATURE:	32°F to 120°F (0°C to 49°C) @ 85% RH (@ 32°C) Non-Condensing / Non-Freezing
WIRING:	Solid or stranded: #12 to #22 AWG terminals
"/T" VERSIONS:	3.5" wide, low profile snap track provided with mounting screws
"/S" VERSIONS:	Aluminum spacers provided with #8 X 7/8" self tapping sheet metal screws Backbox: 18ga CRS, plated with 1/2" conduit knockouts top and bottom
"/C" VERSIONS:	Cover Material: MR-821, MR-822: plastic ABS 94V-O ("C" Grey, "/C/R" Red) MR-824, MR-828: CRS 18ga ("C" Grey, "/C/R" Red)
COMPONENTS:	Utilizes UL Recognized Components

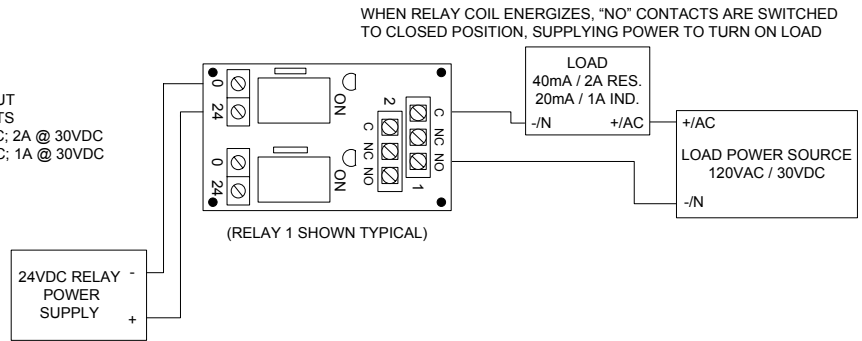
**CAUTION:** DE-ENERGIZE ALL POWER BEFORE INSTALLATION OR SERVICE

### WIRING

(TYPICAL FOR ONE  
MODULE POSITION)



### APPLICATION EXAMPLE



FOR ADDITIONAL APPLICATION INFORMATION AND/OR ASSISTANCE,  
PLEASE CONTACT OUR TECHNICAL SUPPORT HOTLINE. (888) 332-2241

UTILIZES UL RECOGNIZED COMPONENTS