

MR-810 SERIES

10A FUSED RELAY INSTALLATION GUIDE

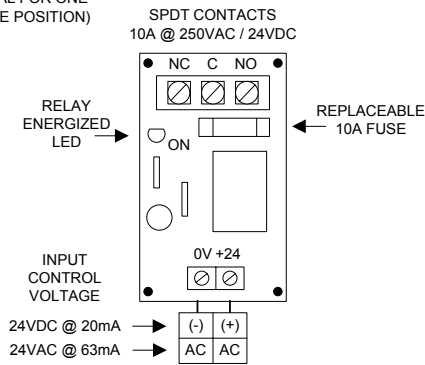
PRODUCT SPECIFICATIONS

| | |
|--------------------------|---|
| POWER REQUIREMENTS: | 24VDC @ 20mA or 24VAC @ 63mA per module position |
| POLARIZED COIL INPUT(S): | Yes |
| ENERGIZED INDICATOR: | One red LED per module position |
| CONTACT RATINGS: | Resistive load: 10A @ 24VDC / 250VAC |
| CONTACT CONSTRUCTION: | Dry form "C" SPDT per module position |
| AMBIENT TEMPERATURE: | 32°F to 120°F (0°C to 49°C) @ 85% RH (@ 32°C) Non-Condensing / Non-Freezing |
| WIRING: | Solid or stranded: #12 to #22 AWG terminals |
| FUSE: | 10A field replaceable 0.20" (Dia.) X 0.75" (L) buss type |
| "/T" VERSIONS: | 3.5" wide, low profile snap track provided with mounting screws |
| "/S" VERSIONS: | Aluminum spacers provided with #8 X 7/8" self tapping sheet metal screws |
| | Backbox: 18ga CRS, plated with 1/2" conduit knockouts top and bottom |
| "/C" VERSIONS: | Cover Material: MR-811, MR-812: plastic ABS 94V-O ("C" Grey, "/C/R" Red) MR-814, MR-818: CRS 18ga ("C" Grey, "/C/R" Red) |
| COMPONENTS: | Utilizes UL Recognized Components |

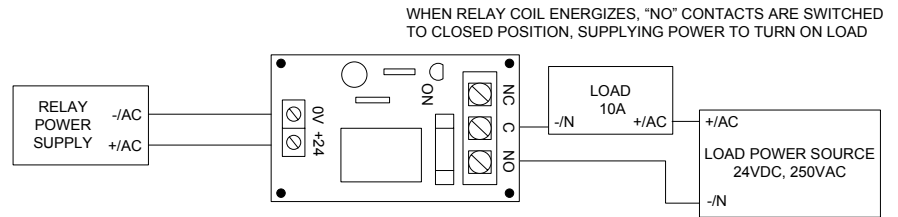
CAUTION: DE-ENERGIZE ALL POWER BEFORE INSTALLATION OR SERVICE

WIRING

(TYPICAL FOR ONE
MODULE POSITION)



APPLICATION EXAMPLE



FOR ADDITIONAL APPLICATION INFORMATION AND/OR ASSISTANCE,
PLEASE CONTACT OUR TECHNICAL SUPPORT HOTLINE. (888) 332-2241

UTILIZES UL RECOGNIZED COMPONENTS



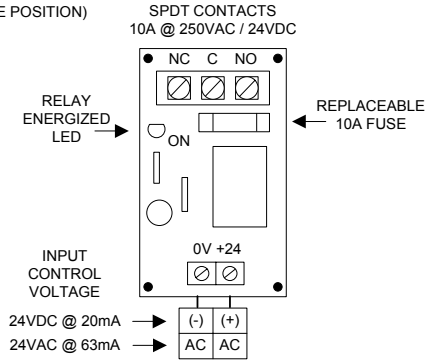
MR-810 SERIES

WIRING AND APPLICATION DIAGRAMS

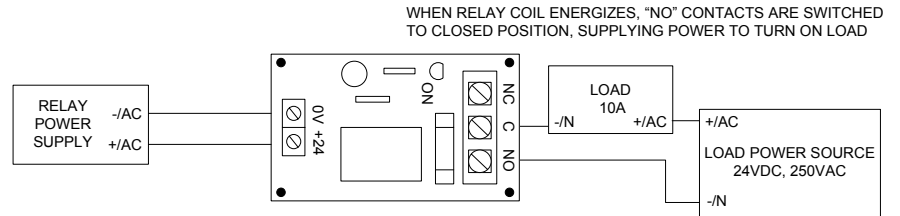
CAUTION: DE-ENERGIZE ALL POWER BEFORE INSTALLATION OR SERVICE

WIRING

(TYPICAL FOR ONE MODULE POSITION)



APPLICATION EXAMPLE



FOR ADDITIONAL APPLICATION INFORMATION AND/OR ASSISTANCE, PLEASE CONTACT OUR TECHNICAL SUPPORT HOTLINE. (888) 332-2241

UTILIZES UL RECOGNIZED COMPONENTS

© Air Products and Controls Inc. 2005 • 1749 East Highwood • Pontiac, MI 48340 • Ph. (248) 332-3900 • Fax (248) 332-8807 • www.ap-c.com INST AP-215 B050203



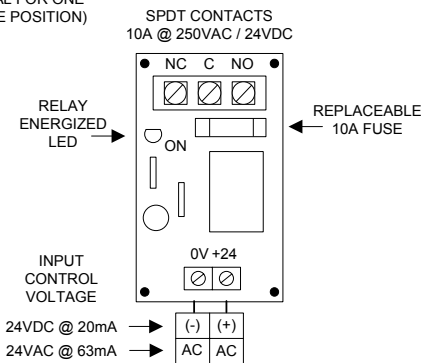
MR-810 SERIES

WIRING AND APPLICATION DIAGRAMS

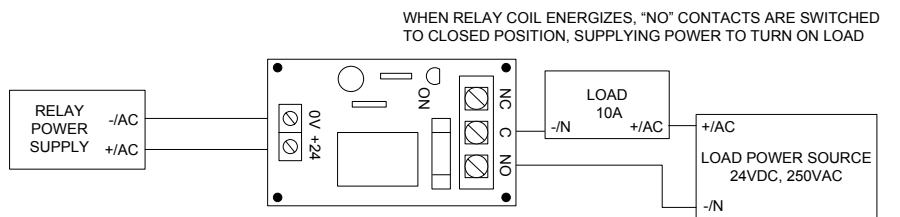
CAUTION: DE-ENERGIZE ALL POWER BEFORE INSTALLATION OR SERVICE

WIRING

(TYPICAL FOR ONE MODULE POSITION)



APPLICATION EXAMPLE



FOR ADDITIONAL APPLICATION INFORMATION AND/OR ASSISTANCE, PLEASE CONTACT OUR TECHNICAL SUPPORT HOTLINE. (888) 332-2241

UTILIZES UL RECOGNIZED COMPONENTS

© Air Products and Controls Inc. 2005 • 1749 East Highwood • Pontiac, MI 48340 • Ph. (248) 332-3900 • Fax (248) 332-8807 • www.ap-c.com INST AP-215 B050203