

# MR-199 SERIES

## HEAVY DUTY POWER RELAY INSTALLATION GUIDE

### PRODUCT SPECIFICATIONS

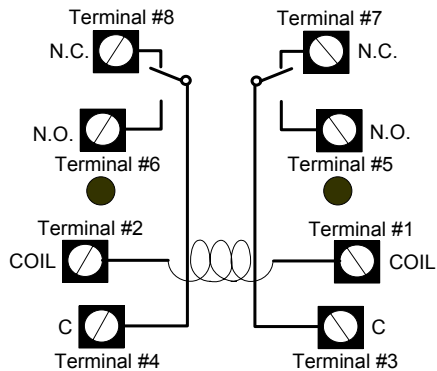
	MR-199X-13	MR-199X-14
POWER REQUIREMENTS:	24VDC @ 85mA (power limited) Nominal 2W (8W max.)	120VAC @ 85mA (non-power limited) 9.8VA
POLARIZED COIL INPUT(S):	No	
ENERGIZED INDICATOR:	No	
CONTACT RATINGS:	30A @ 240VAC, 20A @ 277VAC 2HP @ 240VAC / 1.5HP @ 120VAC (non-power limited)	
CONTACT CONSTRUCTION:	Dry form "C" DPDT per module position	
AMBIENT TEMPERATURE:	32°F to 120°F (0°C to 49°C) @ 85% RH (@32°C) Non-Condensing / Non-Freezing	
WIRING:	Solid or stranded: #6 to #14 AWG terminals	
MOUNTING STANDARD RELAY:	Two .187" (4.75mm) diameter holes on 1.875" (47.63mm) centers	
"/C" VERSIONS:	Backbox: 18ga CRS, plated with 1/2" conduit knockouts top and bottom Cover Material: CRS 18ga ("C" Grey, "/C/R" Red)	
APPROVALS:	Standard relay versions: UL Recognized Component File #S3403 (UL864, UOXX2, UUKL2); CSFM 7300-1004:109 "/C" and "C/R" versions: UL Listed File #S3403 (UL864, UOXX, UUKL); CSFM 7300-1004:109 "C/R" versions" MEA 73-92-E Vol. 28	

**CAUTION:** DE-ENERGIZE ALL POWER BEFORE INSTALLATION OR SERVICE  
**CAUTION:** MINIMUM 1/4" SEGREGATION BETWEEN POWER LIMITED AND NON-POWER LIMITED WIRING  
**CAUTION:** NON-ENCLOSED VERSIONS MUST BE MOUNTED IN THE APPLICATION'S ENCLOSURE

### WIRING

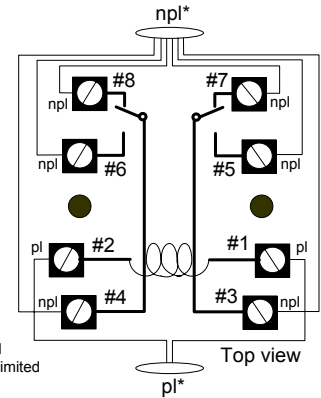
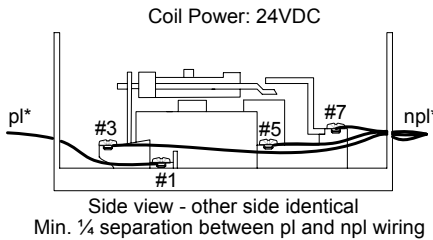
(TYPICAL FOR ONE MODULE POSITION)

(MR-199X-13 & MR-199X-14)



### POWER LIMITED WIRING

(MR-199X-13 VERSIONS ONLY)



FOR ADDITIONAL APPLICATION INFORMATION AND/OR ASSISTANCE,  
PLEASE CONTACT OUR TECHNICAL SUPPORT HOTLINE. (888) 332-2241



CSFM LISTED

MEA ACCEPTED



RECOGNIZED COMPONENT

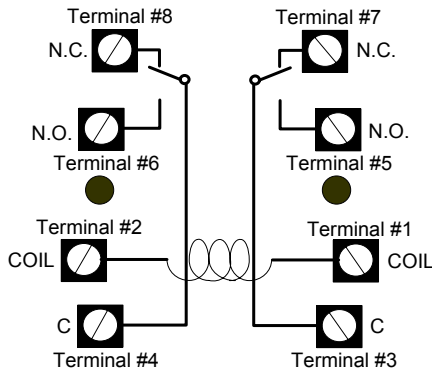
# MR-199 SERIES WIRING DIAGRAMS

**CAUTION:** DE-ENERGIZE ALL POWER BEFORE INSTALLATION OR SERVICE  
**CAUTION:** MINIMUM 1/4" SEGREGATION BETWEEN POWER LIMITED AND NON-POWER LIMITED WIRING  
**CAUTION:** NON-ENCLOSED VERSIONS MUST BE MOUNTED IN THE APPLICATION'S ENCLOSURE

## WIRING

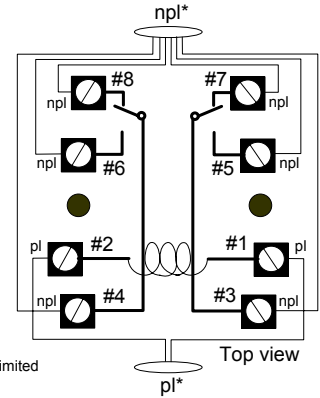
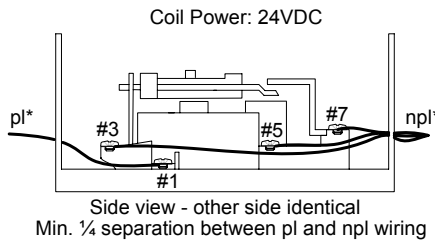
(TYPICAL FOR ONE MODULE POSITION)

(MR-199X-13 & MR-199X-14)



## POWER LIMITED WIRING

(MR-199X-13 VERSIONS ONLY)



pl\* - power limited  
npl\* - non-power limited

FOR ADDITIONAL APPLICATION INFORMATION AND/OR ASSISTANCE, PLEASE CONTACT OUR TECHNICAL SUPPORT HOTLINE. (888) 332-2241



UL US LISTED

CSFM LISTED



MEA ACCEPTED

RECOGNIZED COMPONENT

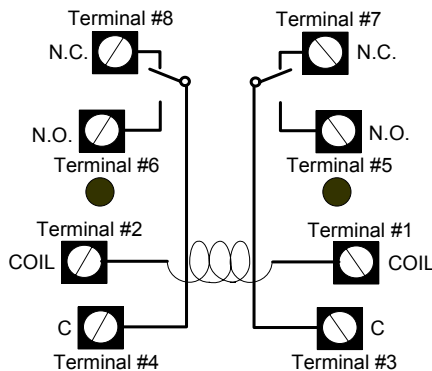
# MR-199 SERIES WIRING DIAGRAMS

**CAUTION:** DE-ENERGIZE ALL POWER BEFORE INSTALLATION OR SERVICE  
**CAUTION:** MINIMUM 1/4" SEGREGATION BETWEEN POWER LIMITED AND NON-POWER LIMITED WIRING  
**CAUTION:** NON-ENCLOSED VERSIONS MUST BE MOUNTED IN THE APPLICATION'S ENCLOSURE

## WIRING

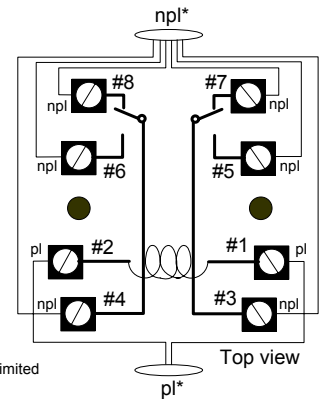
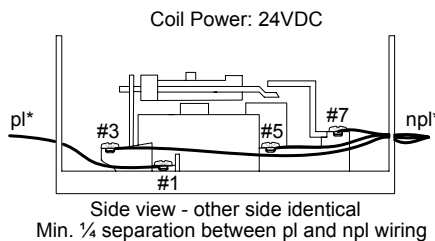
(TYPICAL FOR ONE MODULE POSITION)

(MR-199X-13 & MR-199X-14)



## POWER LIMITED WIRING

(MR-199X-13 VERSIONS ONLY)



pl\* - power limited  
npl\* - non-power limited

FOR ADDITIONAL APPLICATION INFORMATION AND/OR ASSISTANCE, PLEASE CONTACT OUR TECHNICAL SUPPORT HOTLINE. (888) 332-2241



UL US LISTED

CSFM LISTED



MEA ACCEPTED

RECOGNIZED COMPONENT