

MR-400 SERIES

MULTI-VOLTAGE RELAY INSTALLATION GUIDE

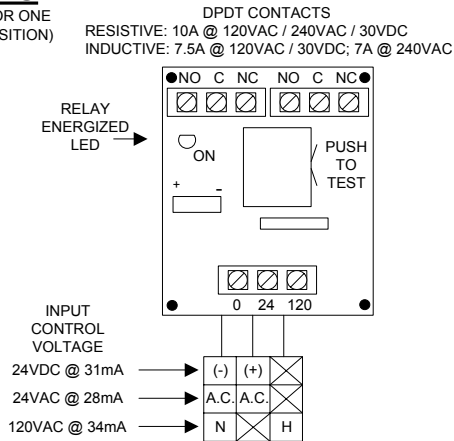
PRODUCT SPECIFICATIONS

POWER REQUIREMENTS:	24VDC @ 31mA, 24VAC @ 28mA, or 120VAC @ 34mA per module position
POLARIZED COIL INPUT(S):	No
ENERGIZED INDICATOR:	One red LED per module position
CONTACT RATINGS:	Resistive load: 10A @ 120VAC / 240VAC / 30VDC Inductive load: 7.5A @ 120VAC / 30VDC, 7A @ 240VAC
CONTACT CONSTRUCTION:	Dry form "C" DPDT per module position
AMBIENT TEMPERATURE:	32°F to 120°F (0°C to 49°C) @ 85% RH (@ 32°C) Non-Condensing / Non-Freezing
WIRING:	Solid or stranded: #12 to #22 AWG terminals
"/T" VERSIONS:	3.5" wide, low profile snap track provided with mounting screws Backbox: 18ga CRS, plated with 1/2" conduit knockouts top and bottom
"/C" VERSIONS:	Cover Material: MR-401: plastic ABS 94V-O ("/C" Grey, "/C/R" Red) MR-404: CRS 18ga ("/C" Grey, "/C/R" Red)
COMPONENTS:	Utilizes UL Recognized Components

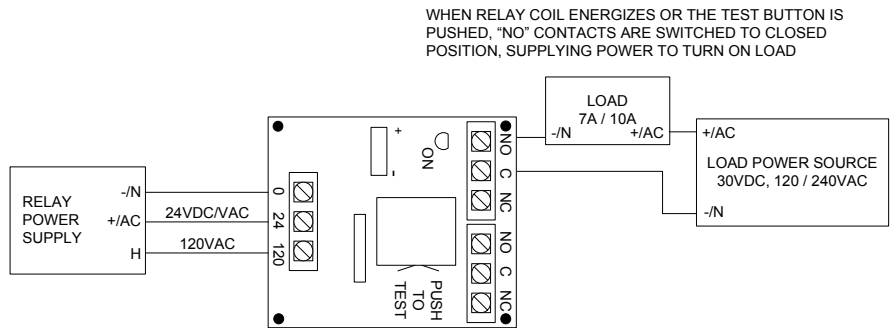
CAUTION: DE-ENERGIZE ALL POWER BEFORE INSTALLATION OR SERVICE

WIRING

(TYPICAL FOR ONE MODULE POSITION)



APPLICATION EXAMPLE



FOR ADDITIONAL APPLICATION INFORMATION AND/OR ASSISTANCE, PLEASE CONTACT OUR TECHNICAL SUPPORT HOTLINE. (888) 332-2241

UTILIZES UL RECOGNIZED COMPONENTS