



# MR-800 SERIES

## MULTI-VOLTAGE CONTROL RELAY INSTALLATION GUIDE

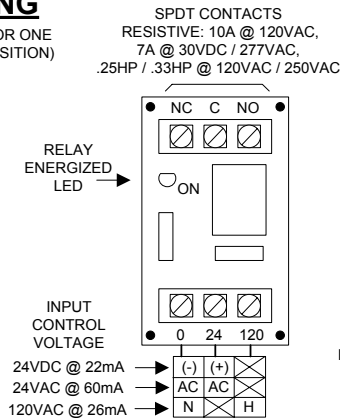
### PRODUCT SPECIFICATIONS

POWER REQUIREMENTS:	24VDC @ 22mA, 24VAC @ 60mA, or 120VAC @ 26mA per module position
POLARIZED COIL INPUT(S):	DC inputs only
ENERGIZED INDICATOR:	One red LED per module position
CONTACT RATINGS:	Resistive load: 10A @ 120VAC, 7A @ 30VDC / 277VAC Inductive load: .25HP / .33HP @ 120VAC / 250VAC
CONTACT CONSTRUCTION:	Dry form "C" SPDT per module position
AMBIENT TEMPERATURE:	32°F to 120°F (0°C to 49°C) @ 85% RH (@ 32°C) Non-Condensing / Non-Freezing
WIRING:	Solid or stranded: #12 to #22 AWG terminals
"/T" VERSIONS:	3.5" wide, low profile snap track provided with mounting screws
"/S" VERSIONS:	Aluminum spacers provided with #8 X 7/8" self tapping sheet metal screws
	Backbox: 18ga CRS, plated with 1/2" conduit knockouts top and bottom
"/C" VERSIONS:	Cover Material: MR-801, MR-802: plastic ABS 94V-0 ("C" Grey, "/C/R" Red) MR-804, MR-808: CRS 18ga ("C" Grey, "/C/R" Red)
APPROVALS:	"/S" and "/T" versions: UL Recognized Component (UL864, UOXX2), File #S3403 "/C" and "/C/R" versions: UL Listed (UL864, UOXX), File #S3403; CSFM Listed, 7300-1004:110 "/C/R" versions: MEA Accepted, 73-92-E Vol. 29

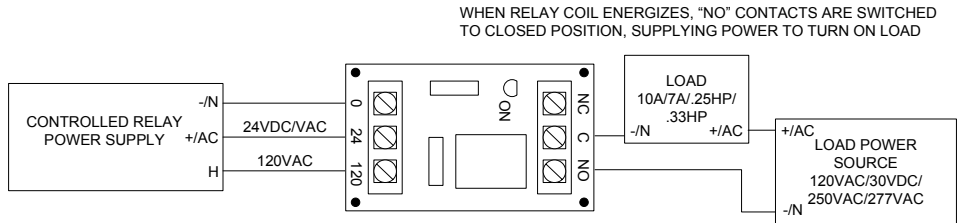
**CAUTION:** DE-ENERGIZE ALL POWER BEFORE INSTALLATION OR SERVICE  
**NOTE:** INPUT POWER SUPPLY SHOULD BE UL LISTED FOR FIRE PROTECTIVE SIGNALING SYSTEMS WHEN USED IN FIRE ALARM APPLICATIONS

### WIRING

(TYPICAL FOR ONE MODULE POSITION)



### APPLICATION EXAMPLE



NOTE: DC COIL INPUT IS POLARIZED

MEA ACCEPTED



CSFM LISTED



RECOGNIZED COMPONENT

FOR ADDITIONAL APPLICATION INFORMATION AND/OR ASSISTANCE,  
PLEASE CONTACT OUR TECHNICAL SUPPORT HOTLINE. (888) 332-2241