

MR-600 SERIES

MANUAL OVERRIDE RELAY INSTALLATION GUIDE

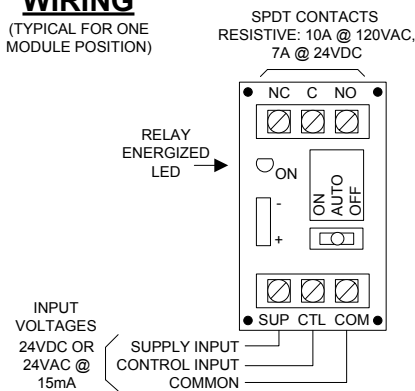
PRODUCT SPECIFICATIONS

POWER REQUIREMENTS:	24VDC or 24VAC @ 15mA per module position
POLARIZED COIL INPUT(S):	No
ENERGIZED INDICATOR:	One red LED per module position
CONTACT RATINGS:	Resistive load: 10A @ 120VAC, 7A @ 24VDC
CONTACT CONSTRUCTION:	Dry form "C" SPDT per module position
AMBIENT TEMPERATURE:	32°F to 120°F (0°C to 49°C) @ 85% RH (@ 32°C) Non-Condensing / Non-Freezing
WIRING:	Solid or stranded: #12 to #22 AWG terminals
"/T" VERSIONS:	3.5" wide, low profile snap track provided with mounting screws
"/S" VERSIONS:	Aluminum spacers provided with #8 X 7/8" self tapping sheet metal screws
"/C" VERSIONS:	Backbox: 18ga CRS, plated with 1/2" conduit knockouts top and bottom
	Cover Material: MR-601, MR-602: plastic ABS 94V-0 ("/C" Grey, "/C/R" Red) MR-604, MR-608: CRS 18ga ("/C" Grey, "/C/R" Red)
APPROVALS:	"/S" and "/T" versions: UL Recognized Component (UL864, UOXX2), File #S3403 "/C" and "C/R" versions: UL Listed (UL864, UOXX), File #S3403; CSFM Listed, 7300-1004:110 "C/R" versions: MEA Accepted, 73-92-E Vol. 29

CAUTION: DE-ENERGIZE ALL POWER BEFORE INSTALLATION OR SERVICE
NOTE: INPUT POWER SUPPLY SHOULD BE UL LISTED FOR FIRE PROTECTIVE SIGNALING SYSTEMS WHEN USED IN FIRE ALARM APPLICATIONS

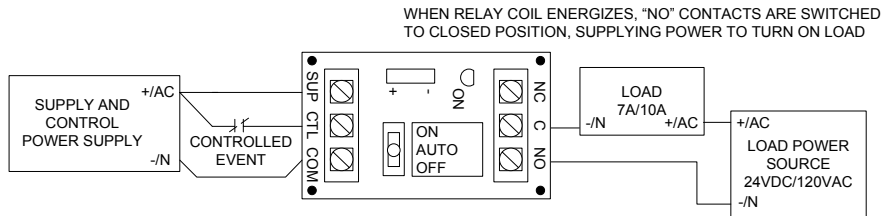
WIRING

(TYPICAL FOR ONE MODULE POSITION)



NOTE: SUPPLY (SUP) AND CONTROL (CTL) INPUT MUST BE OF SAME VOLTAGE TYPE AND POLARITY

APPLICATION EXAMPLE



- 1) SWITCH IN "ON" POSITION: RELAY IS ENERGIZED (WITH NO CONTROL VOLTAGE REQUIRED)
- 2) SWITCH IN "AUTO" POSITION: RELAY IS ALLOWED TO OPERATE AS SIGNALLED BY THE CONTROLLING SYSTEM
- 3) SWITCH IN "OFF" POSITION: RELAY WILL NOT ENERGIZE (EVEN WITH A CONTROLLED EVENT VOLTAGE APPLIED)

FOR ADDITIONAL APPLICATION INFORMATION AND/OR ASSISTANCE, PLEASE CONTACT OUR TECHNICAL SUPPORT HOTLINE. (888) 332-2241



CSFM LISTED

MEA ACCEPTED



RECOGNIZED COMPONENT